

iArmor[®]

iArmor[®] by APS

PART#: IA-S004H

BEFORE INSTALLATION

REMOVE CONTENTS FROM BOX. VERIFY ALL PARTS ARE PRESENT. READ INSTRUCTIONS CAREFULLY BEFORE STARTING INSTALLATION. ASSISTANCE IS RECOMMENDED. THANK YOU FOR CHOOSING OUR PRODUCT!

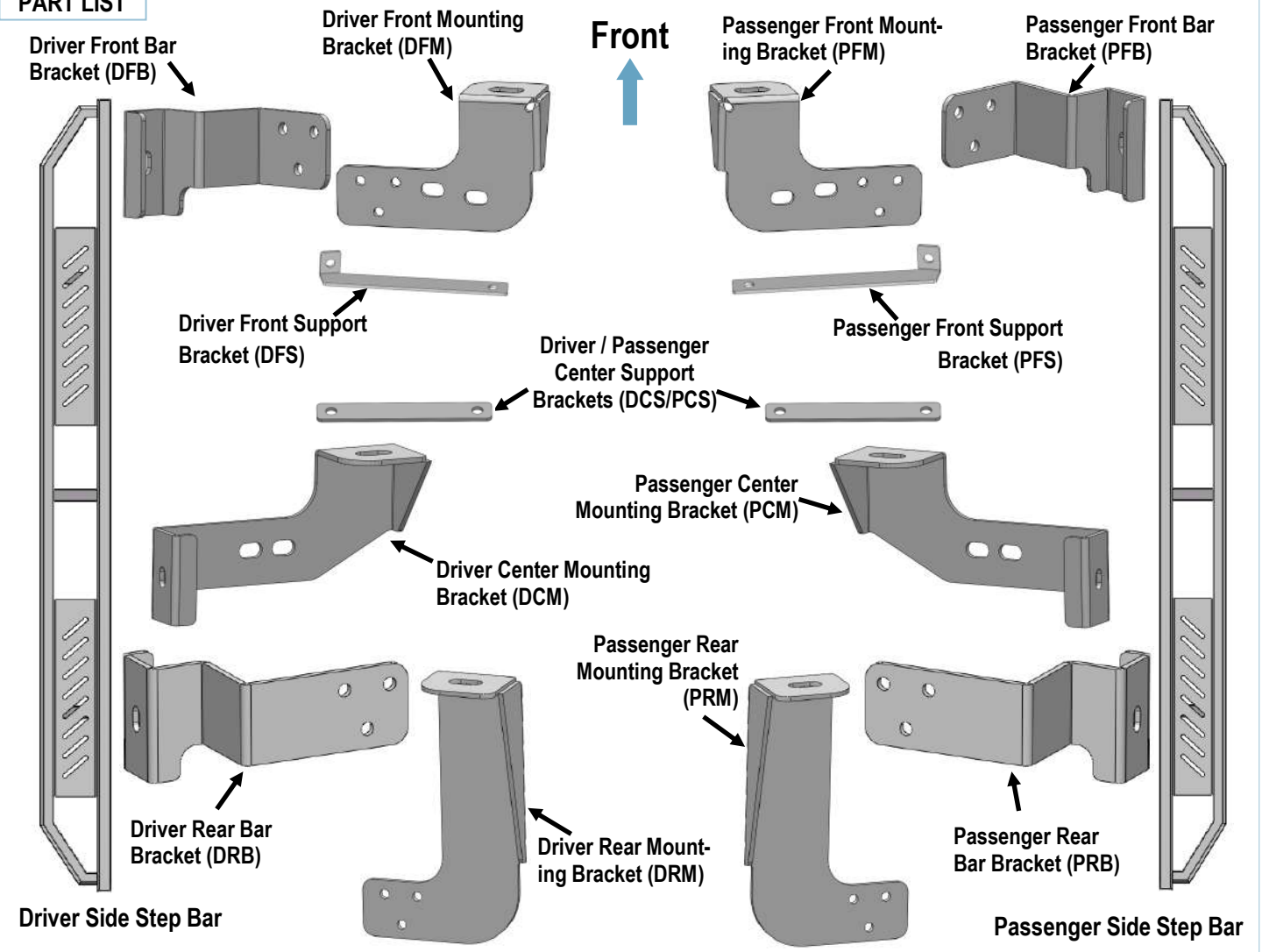
*BODY FRAME MOUNT

*DRILLING NOT REQUIRED

Torque Value

Fastener Size	Tightening Torque (ft-lbs)	Required
6mm	6-7	X
8mm	16-18	√
10mm	31-32	√
12mm	56-58	X
14mm	92-94	X

PART LIST



Customer Support: info@iarmorauto.com

iArmor®

Hardware Package A (For Bracket Installation)					
Item	QTY	Description	Item	QTY	Description
1#	6	U Brackets	6#	8	M10X1.5-30 Hex Bolts
2#	2	M10 Nut Plate	7#	14	M10 Large Flat Washers
3#	12	M8X1.25-25mm Hex Bolts	8#	8	M10 Lock Washers
4#	24	M8 Large Flat Washers	9#	6	M10 Hex Nuts
5#	12	M8 Nylon Lock Nuts			

Hardware Package B (For Step Bar Installation)					
Item	QTY	Description	Item	QTY	Description
1#	6	M8X1.25-55mm Carriage Bolts	3#	6	M8 Lock Washers
2#	6	M8 Large Flat Washers	4#	6	M8 Hex Nuts

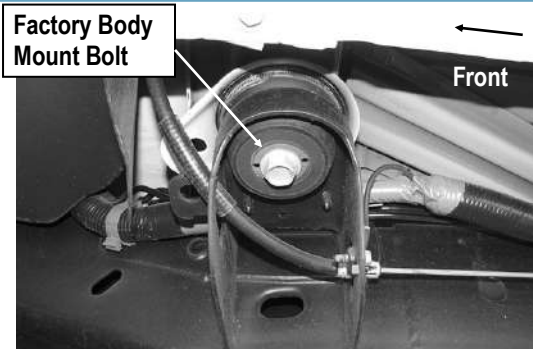
Customer Support: info@iarmorauto.com

iArmor[®]

The instruction here is for your reference only. We strongly recommend the professional installer for best result. We are not responsible for any damage caused by the installation.

STEP 1

Start the installation from the Passenger Side Front of the vehicle. Remove the front body mount bolt, (Fig 1). Do not remove rubber bushing.

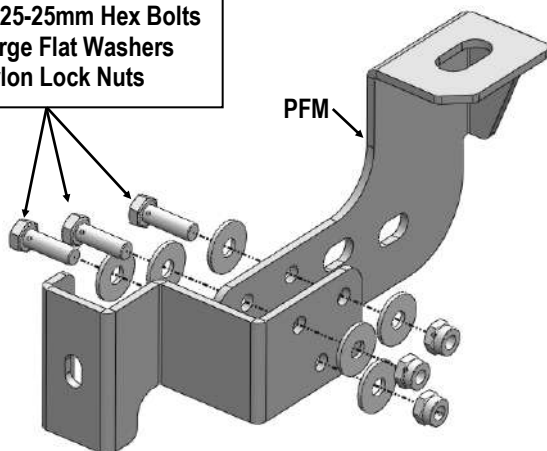


(Fig 1) Passenger Side Front Mounting Location

STEP 2

Assemble Passenger Front Mounting Bracket (PFM) and Passenger Front Bar Bracket (PFS) as shown, (Fig 2).

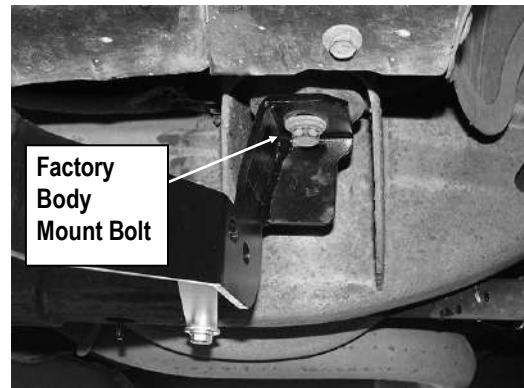
- (3) M8X1.25-25mm Hex Bolts
- (6) M8 Large Flat Washers
- (3) M8 Nylon Lock Nuts



(Fig 2) Passenger Side Front Brackets Assembly

STEP 3

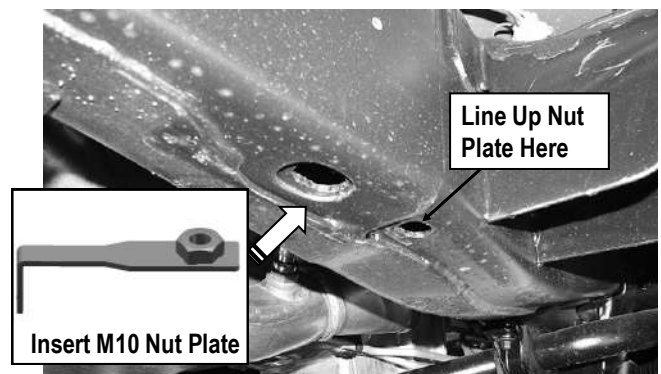
Attach the Assembled Passenger Front Mounting Bracket (PFM) to the body mount reusing the factory hex bolt, (Fig 3). Do not fully tighten hardware at this time.



(Fig 3) Passenger Front Mounting Bracket Installed

STEP 4

Move to the passenger front support bracket mounting location. Locate the two factory holes at the bottom of the frame close to the Passenger Side Front Mounting Location. Insert (1) M10 Nut Plate into the oval hole and line up the threaded nut with the round hole, (Fig 4).



(Fig 4) Passenger Front Support Bracket Mounting Location

iArmor®

STEP 5

Attach the flat end of the Passenger Front Support Bracket (PFS) to the installed M10 Nut Plate with (1) M10X1.5-30 Hex Bolt, (1) M10 Large Flat Washer and (1) M10 Lock Washer, (Fig 5 & 6). Do not fully tighten hardware at this time.

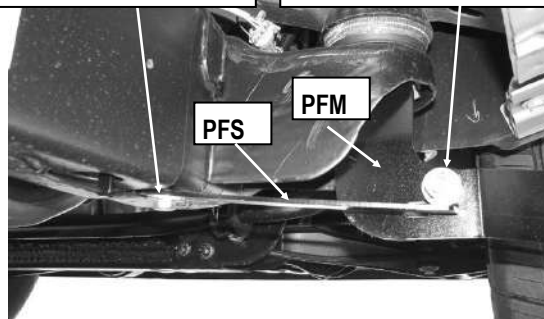
1500 Models:

Attach the bent end of the Support Bracket onto the Passenger Front Mounting Bracket with (1) M10X1.5-30 Hex Bolt, (2) M10 Large Flat Washers, (1) M10 Lock Washer and (1) M10X1.5 Hex Nut, (Fig 5). Do not fully tighten hardware at this time.

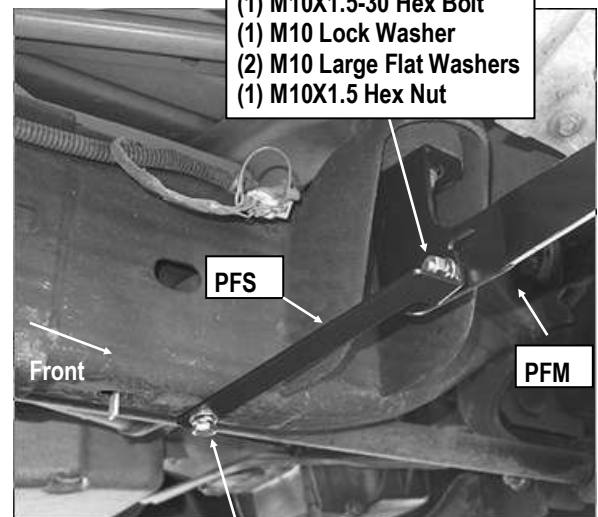
Up to 2007 2500/3500 Models:

Note that the Front Support Bracket will not reach up to the Mounting Bracket. Tighten the Support Bracket to the Nut Plate in the frame. Carefully push up on the Support Bracket until it reaches the inside hole in the Mounting Bracket. Bolt the Support Bracket to the hole on the Mounting Bracket with (1) M10X1.5-30 Hex Bolt, (2) M10 Large Flat Washers, (1) M10 Lock Washer and (1) M10X1.5 Hex Nut, (Fig 6). Do not fully tighten at this time.

- (1) M10X1.5-30 Hex Bolt
- (1) M10 Lock Washer
- (1) M10 Large Flat Washer
- (1) M10X1.5-30 Hex Bolt
- (1) M10 Lock Washer
- (2) M10 Large Flat Washers
- (1) M10X1.5 Hex Nut



(Fig 5) Passenger Front Support Bracket Installed
(For 1500 Models)

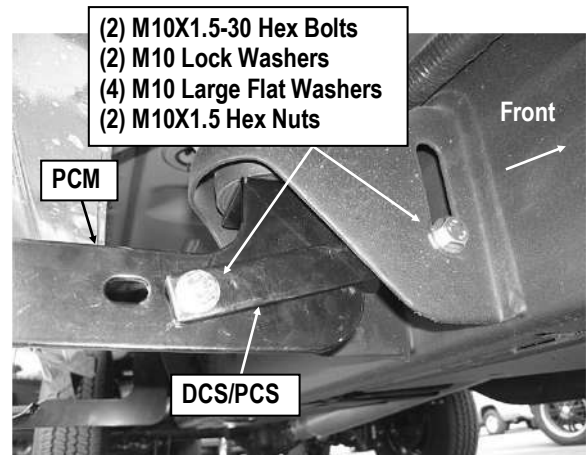


- (1) M10X1.5-30 Hex Bolt
- (1) M10 Lock Washer
- (1) M10 Flat Washer

(Fig 6) Passenger Front Support Bracket Installed
(Up to 2007 2500/3500 Models)

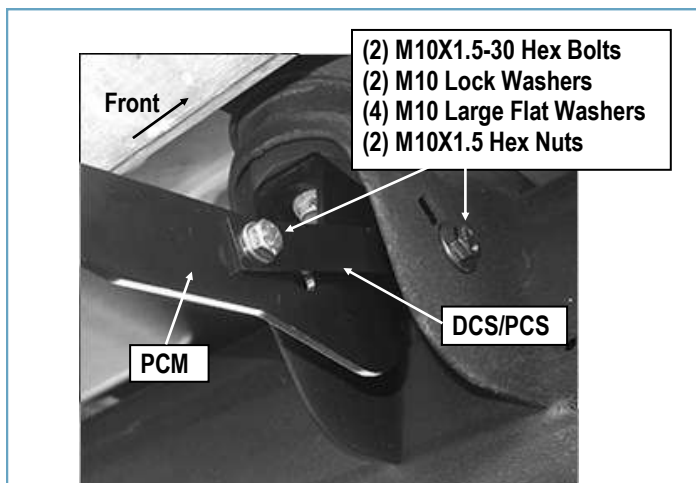
STEP 6

Move to the Passenger Side Center Mounting Location (body mount) and remove the factory bolt. Select the Passenger Center Mounting Bracket (PCM). Repeat Step 3 to install the Passenger Center Mounting Bracket, (Figs 7 & 8).



(Fig 7) Passenger Center Mounting Bracket And Support Bracket Installation (For 1500 Models)

iArmor®



(Fig 8) Passenger Center Mounting Bracket and Support Bracket Installation (For 2500/3500 Models)

STEP 7

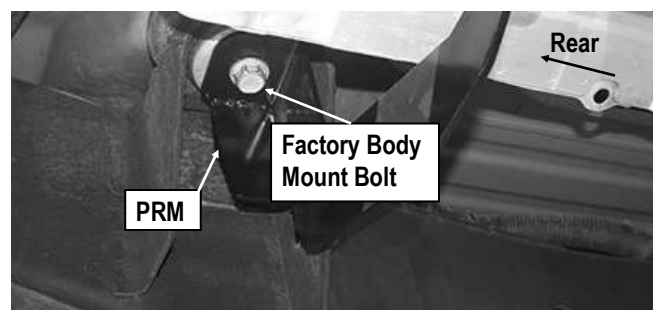
Next, select (1) Passenger Center Support Bracket (**DCS/PCS**). There are two mounting holes on the Support Bracket. Attach the Support Bracket to the hole beside the body mount with (1) M10X1.5-30 Hex Bolt, (2) M10 Large Flat Washers, (1) M10 Lock Washer and (1) M10X1.5 Hex Nut, (**Figs 7&8**). Do not fully tighten at this time.

STEP 8

Attach the opposite end of the Support Bracket to the Center Bracket with (1) M10X1.5-30mm Hex Bolt, (2) M10 Large Flat Washers, (1) M10 Lock Washer and (1) M10X1.5 Hex Nut, (**Figs 7 & 8**). Do not fully tighten at this time.

STEP 9

Move to the passenger side rear body mount. Assemble Passenger Rear Bar Bracket (**PRB**) and Passenger Rear Mounting Bracket (**PRM**) with (2) M10X1.5-30mm Hex Bolt, (4) M10 Flat Washers, (2) M10 Lock Washer and (4) M10X1.5 Hex Nut, (**Fig 8**). Do not fully tighten at this time.



(Fig 9) Passenger Rear Mounting Bracket Installation

STEP 10

Once all (3) passenger side mounting brackets are installed, select and attach the Passenger Side Step Bar onto the Mounting Brackets with (3) U Brackets, (3) M8X1.25-55mm Carriage Bolts, (3) M8 Large Flat Washers, (3) M8 Lock Washers and (3) M8X1.25 Hex Nuts, (**Fig 10**). Do not fully tighten hardware at this time.

STEP 11

Properly level and adjust the Step Bar and fully tighten all hardware. Move to the passenger side of the vehicle. Repeat **Steps 1-10** to install passenger side step bar.

Installation completed.

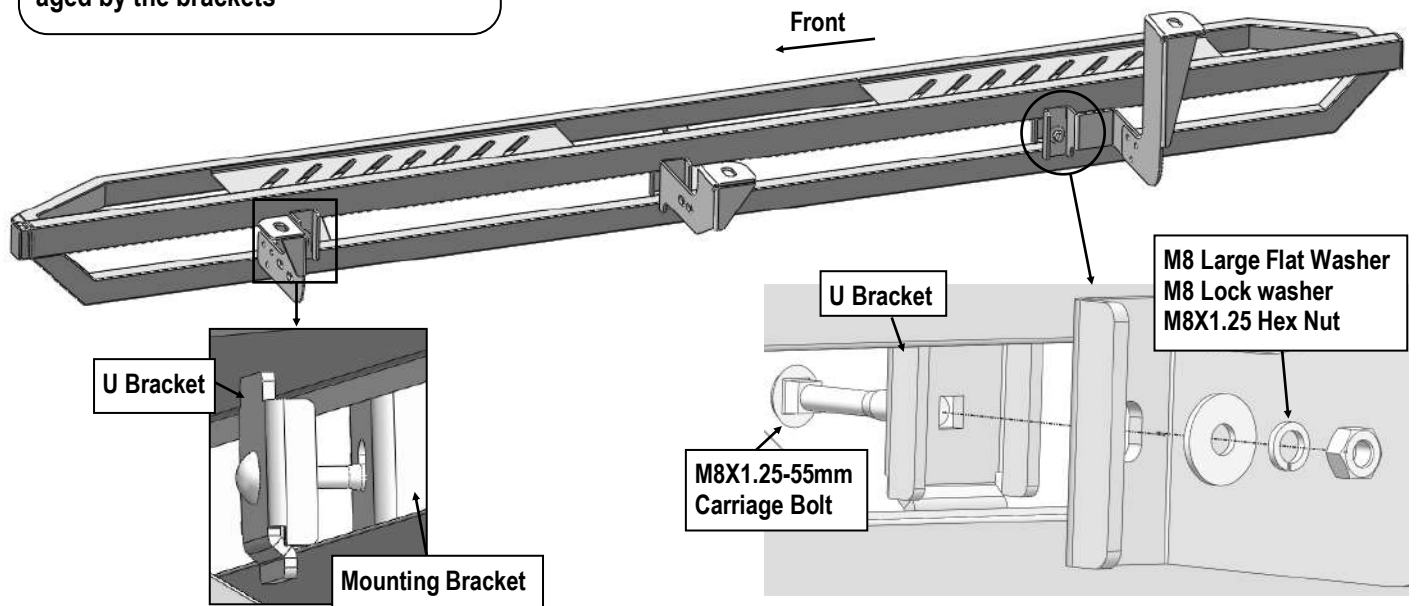
Attention

Do periodic inspections to the installation to make sure that all hardware is secure and tight.

In order to protect your bars/boards, please use mild soap/non-abrasive products for cleaning only.

iArmor®

NOTE: Torque all M8 X1.25-55mm Carriage Bolts to 16~18 lb-ft. Don't over tighten, or the square bars will be damaged by the brackets



(Fig 10) Passenger Side Step Bar Installation